

UNI-ROV 300[©]



UNI-ROV 300 is the UNITEC innovative patented auto-adjusting bin tipper with continuous gradual and gentle bin tipping. The system allows the removal of the spacing conveyor after the unit and allows it to be placed in a narrower space.

UNITEC
GROUP



The UNI-ROV 300 is equipped with a full bin destacker and stacker

GENTLENESS

The extreme gentleness is granted from the elimination of several passages of the fruits, from the tipping inclination and from the electronic devices managing the mechanical movements.

VERSATILITY

UNI-ROV 300 enables the tipping of all sorts of large bins since it is auto-adjustable in height. It operates with different size bins.

edp australia pty ltd

Tel: 61-3-5820 5337

Fax: 61-3-5825 2758

email: sales@edp.com.au

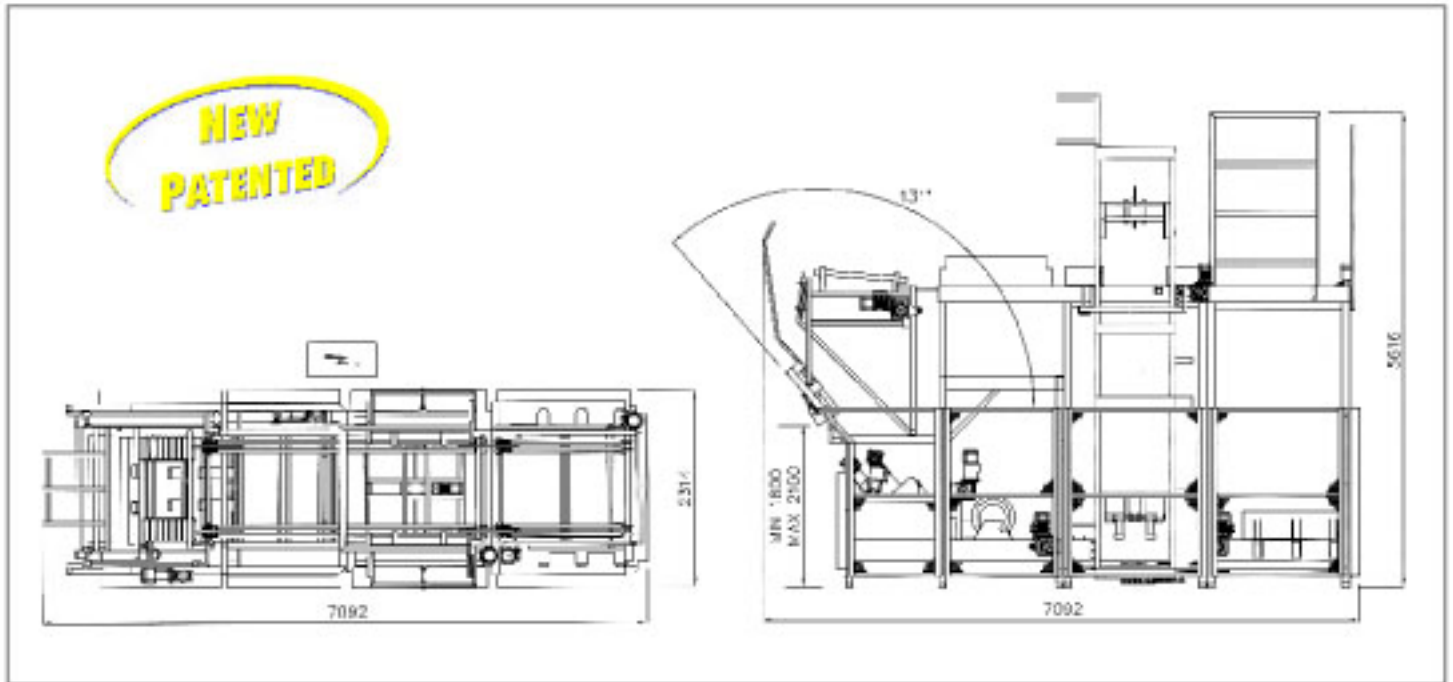
www.edp.com.au

e-as-y as...
edp[®]



TECHNICAL FEATURES

Max Capacity	boxes/hr	130
Electrical Power Installed	kw	15
Tipping inclination	°	131
Tipping Height	mm	Min.1800 Max.2100
Box External Dimension (min)	mm	1000x1000x540 (H)
Box External Dimension (max)	mm	1220x1220x760 (H)



edp australia Pty Ltd
 Tel: 61-3-5820 5337
 Fax: 61-3-5825 2758
 email: sales@edp.com.au
 www.edp.com.au

e-asY as...
edp®