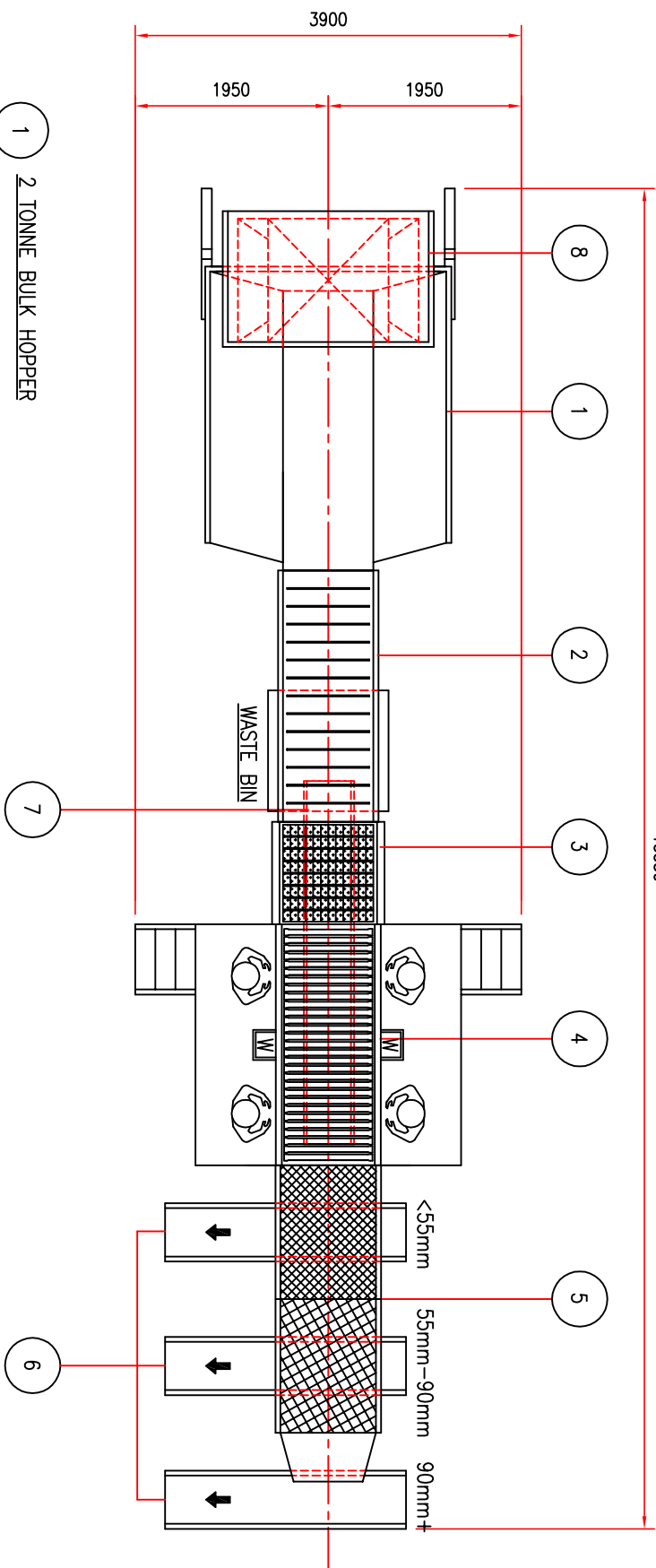


# PLAN ELEVATION

13350



- 1 2 TONNE BULK HOPPER
- 2 900mm WIDE GOOSE NECK ELEVATOR
- 3 900x8 ROW BRUSHING UNIT
- 4 900x2400 ROLLER INSPECTION TABLE
- 5 900mm WIDE SCREEN SIZER - 2 SCREENS (55mm & 90mm)
- 6 450x2400 SIZER COLLECTION BELT - 3 OFF
- 7 450x3600 WASTE COLLECTION BELT
- 8 1/2t & 1t FORK OPERATED BIN TIPPER

ALL DIMENSIONS APPROXIMATE ONLY!

**COPYRIGHT**  
 This design including the principles of design is the property of and is submitted by ED PARSONS ENGINEERING PTY.LTD. with the arrangement that it is not to be reproduced, copied, or loaned in part or whole or otherwise disclosed to any third party. If any of the above is done without the prior written consent of the party to whom this drawing is submitted. Acceptance of this drawing will be taken as an agreement to the above.

**edp australia** Pty. Ltd.

TITLE  
**BRUSHED POTATO PLANT**

SCALE 1:10  
 DRAWN C.BURKE  
 DATE 22.4.2005  
 STD LAYOUT

APPROVED SHEET NO