

edp[®] Checkweigher

With 60 years in the Fruit and Vegetable industry we have the expertise and experience to give you, our valued customer, the best and most reliable equipment economically possible.

e-as-y as...edp



e-as-y as...



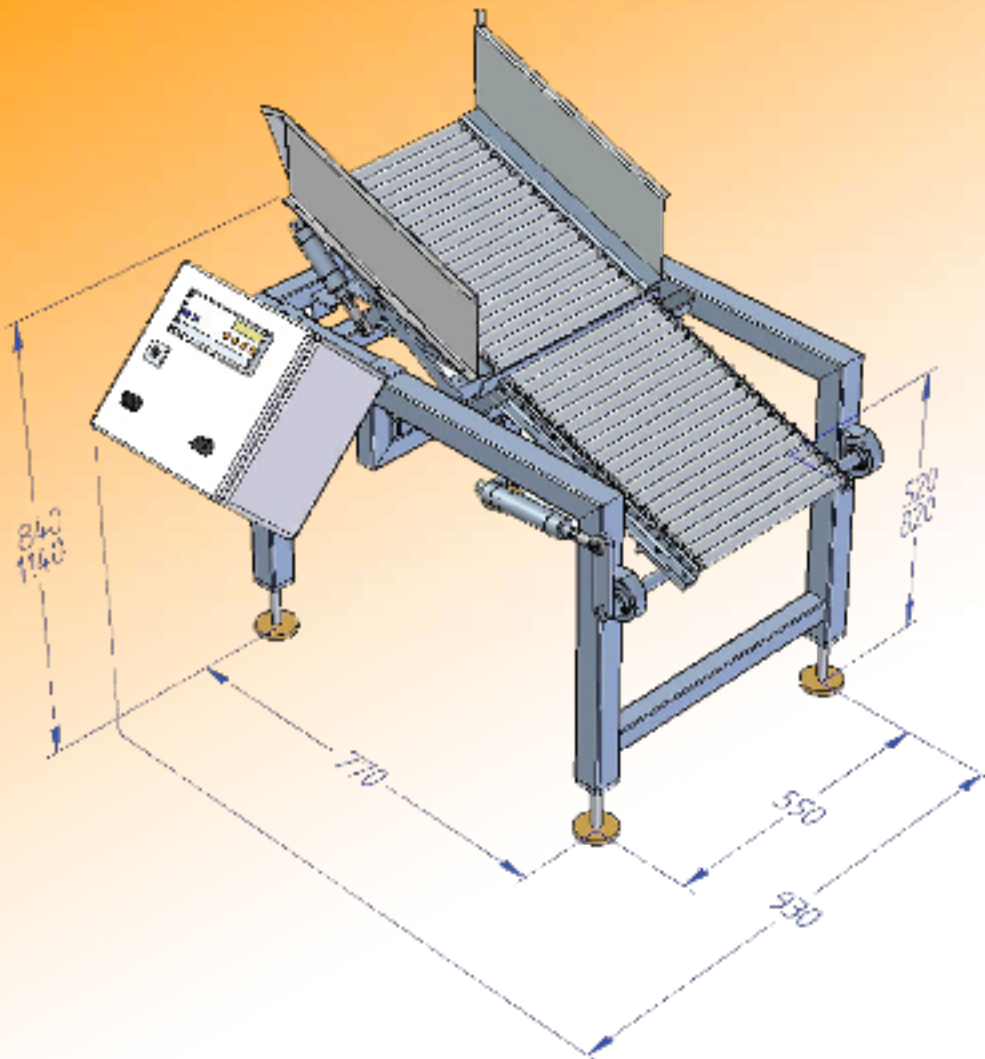
edp[®] checkweigher

The new edp[®] check-weigher has been introduced to eliminate costly returns from ever demanding retailers.

The check-weigher can be fitted to any combination weigher to do a final check of the bagged product prior to dispatch. It gives the supplier peace of mind that product weights are correct.

The revolutionary speed cell maintains accurate weighing at speed, combined with electronics that are CE approved and can be weighed and measured approved.

This makes the check-weigher ideal for most requirements.



edp australia pty ltd, 33-37 O'Brien Street, Mooroopna, Vic 3629

Tel: +61 3 5820 5337, Fax: +61 3 5825 2758, email: sales@edp.com.au, <http://www.edp.com.au>

e-asy as..

edp[®]