

edp[®] Electrobagger

e-asy as... edp



With 60 years in the Fruit and Vegetables industry we have the expertise and experience to give you, our valued customer, the best and most reliable equipment economically possible



e-asy as..



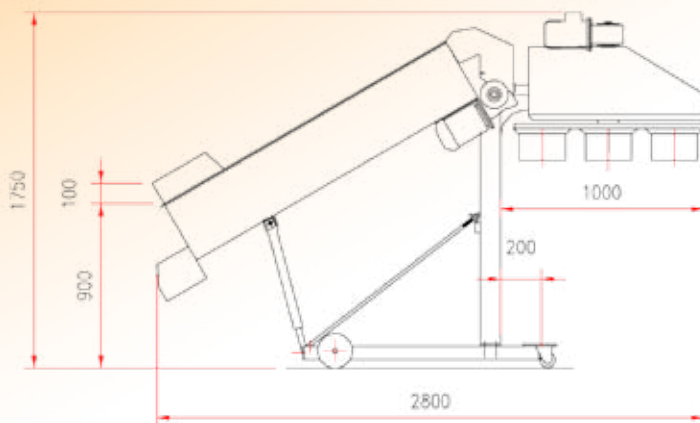
A GOOD BAGGER MADE BETTER!

NEW FEATURES:

- Electronic table indexing.
- Centrally located controls.
- Inflight Pneumatic gate (prevents excessive overweights).
- Over 2000 baggers sold since 1978.
- Inch top up feed (ITF), prevents underweights.
- Soft padded delivery chute.



edp® ELECTROBAGGER Model AB-2007-DF



OPTIONS:

Can be fitted with special carton/crate holders to give added flexibility.

Note: Dimensions of box shown are 420 x 285 x 260

The Electro-bagger is just one of many machines from edp®

edp australia pty ltd, 33-37 O'Brien Street, Mooroopna, Vic 3629

Tel: +61 3 5820 5337, Fax: +61 3 5825 2758, email: sales@edp.com.au, <http://www.edp.com.au>

e-as-y as..
edp