

Jollypack

For placing product gently onto trays!!!

FEATURES

The Jollypack consists of a tray dispenser, fruit supply conveyor and an automatic filling system for 4, 6 or 8 pulp moulding or polystyrene trays.

The machine is simple, compact, gentle and reliable in process and guarantees high and continuous working rates.

The Jollypack can be coupled with already existing dry or wet emptying machines and after filling can be set directly in line with the wrapping and stretching machine.

The change from one tray size to the other is easy with the colored touch screen monitor.

Fully automatic size change of the type and size of trays, the number and size of apples, as well as all the breadth, conveyors and fully automatic apple flow regulation (in total there are 21 automatic regulated change points).

The tray dispenser: for trays of pulp moulding, carton or polystyrene holds 5 columns of trays ready for the automatic tray supply.

Output: max. 58 trays/min. dependent on the size, in the tray and on the conveyance



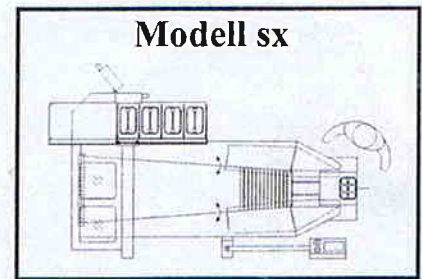
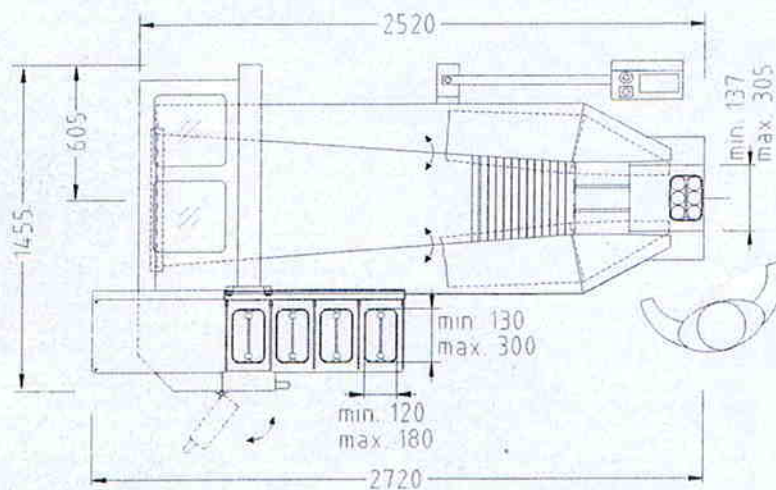
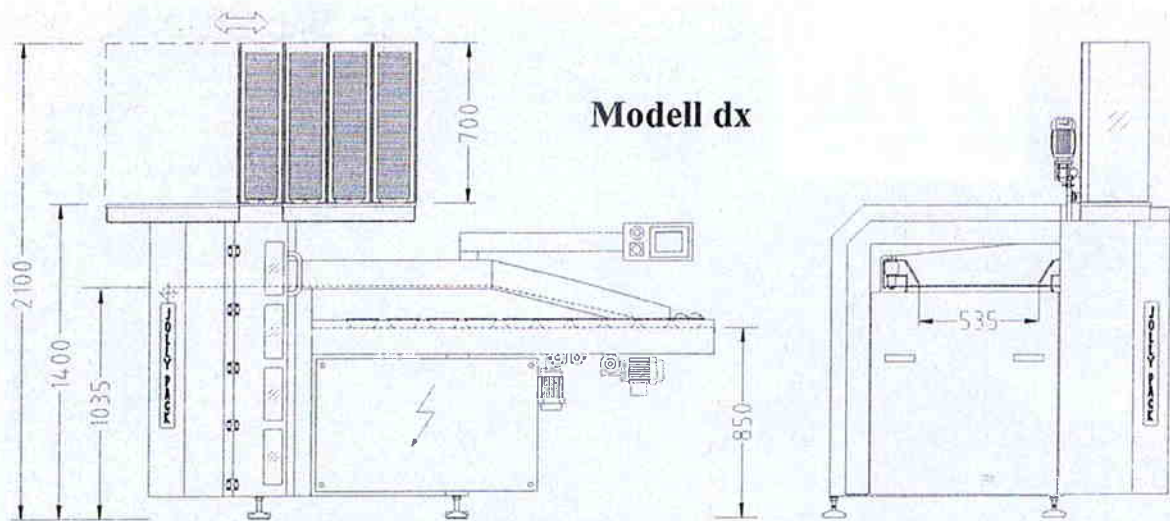
frutmac

e-asy as..

edp[®]

edp australia Pty Ltd, Mooroopna, 3629, Victoria, Australia PO Box 251 3629
Phone: 03 5820 5337, Email: edp@shepparton.com.au, <http://www.edp.com.au>

Technical Features



Output: 58trays/min

Voltage: 380 V 50Hz

Max power absorbed: 4KW

Compressed air consumption: min. 7 bar

Compressed air consumption: max. 900 nl/min

Weight of the machine: Ca. 500g

Material of single components:

high grade steel and plastic material

frulmac

e-asy as..