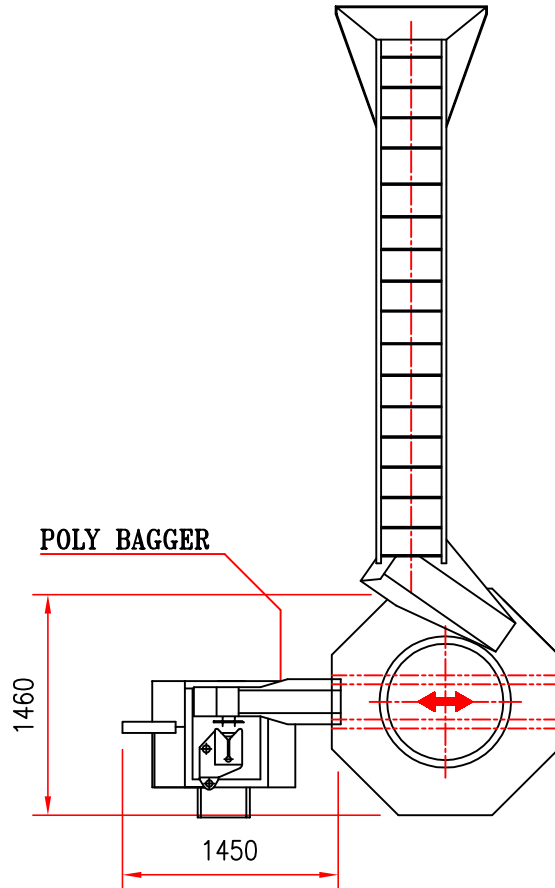
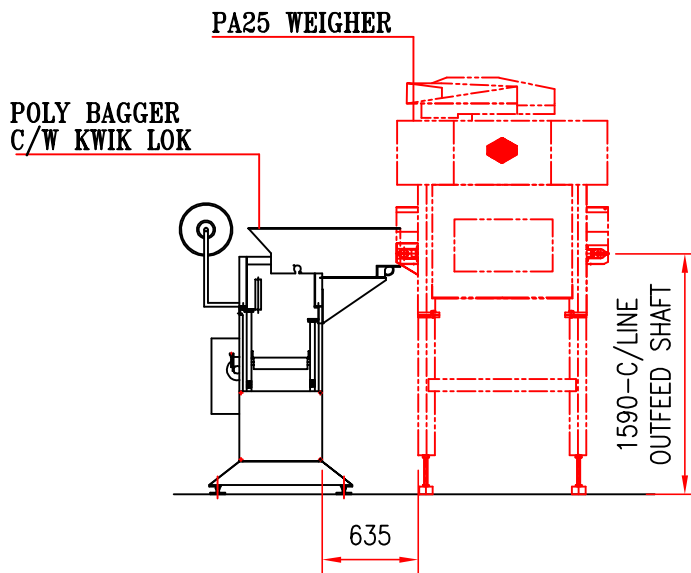


PLAN ELEVATION



FRONT ELEVATION



COPYRIGHT
 This design including the principles of design is the property of and is submitted by E.D.PARSONS ENGINEERING PTY.LTD. with the arrangement that it is not to be reproduced, copied, or loaned in part or whole or otherwise disclosed to any third party. It is not to be used in any manner that may directly or indirectly breach any agreement between edp* and the party to whom this drawing is submitted. Acceptance of this drawing will be taken as an agreement to the above.

edp australia pty. ltd.

REV NO	TITLE		
DATE	PA 25 COMBINATION WEIGHER		
JOB NO	POLY BAGGER INSTALLATION		
SCALE	1:50	DATE	DRG NO
DRAWN	C.BURKE	28.1.2005	PA25LAY
APPROVED			SHEET NO