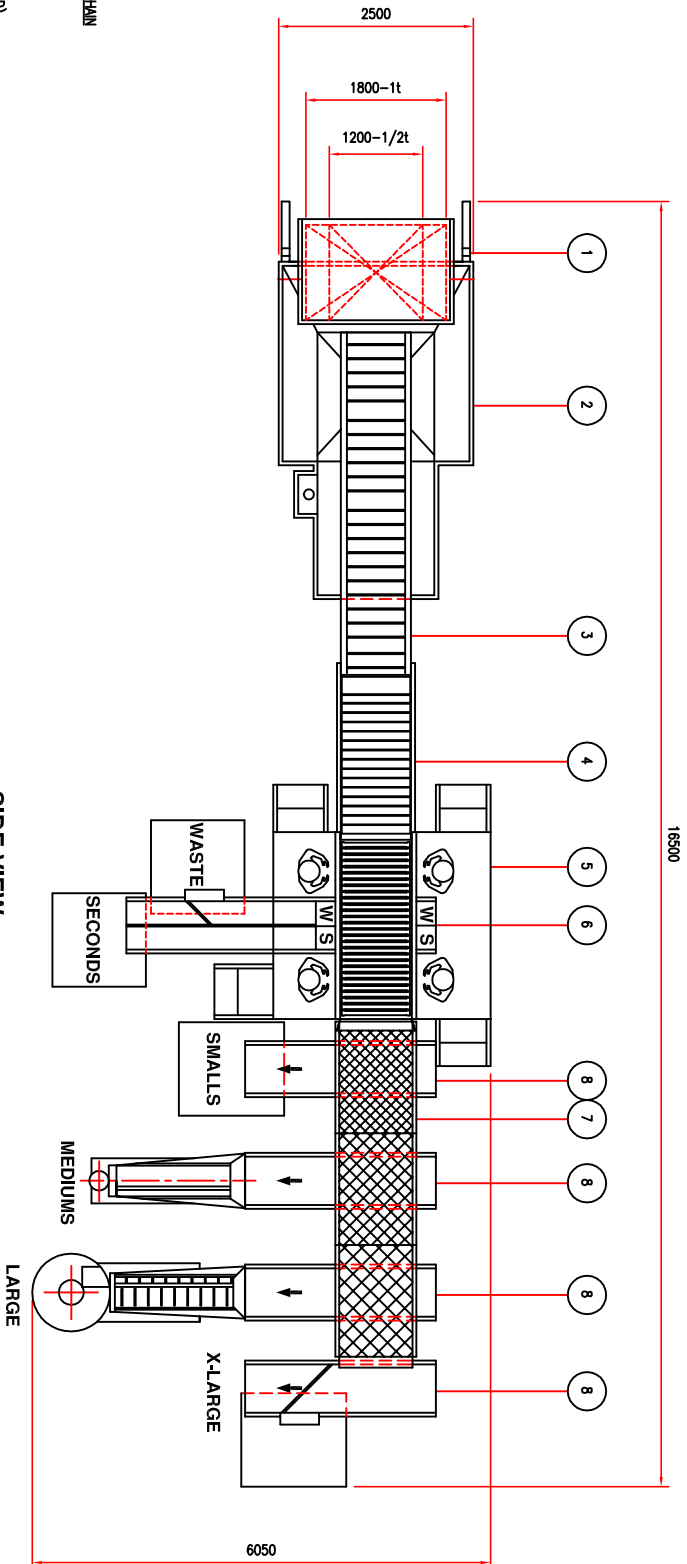


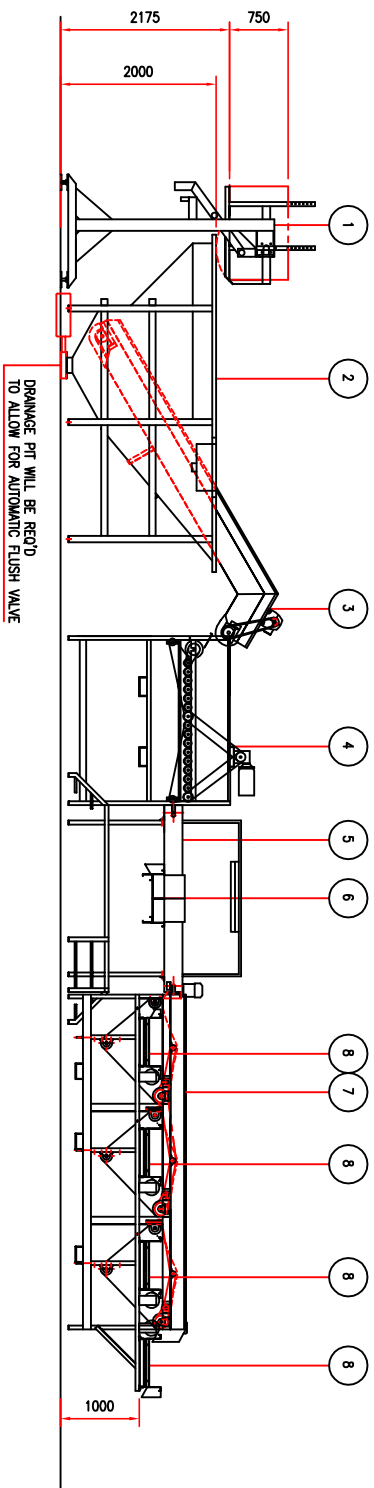
PLAN VIEW



COMPONENTS

- 1 1/2t & 1t FORK OPERATED BIN TIPPER (H.D. GAL)
- 2 1 1/2t WET HOPPER C/W AUTO FLUSHING VALVE (H.D. GAL)
- 3 750mm WIDE WEBB'S BELT EXIT ELEVATOR (H.D. GAL-V/SPEED)
- 4 900mm WIDE 16 ROW WASHER 8 ROW MOPPING UNIT-NO DRAPER CHAIN (H.D. GAL-V/SPEED)
- 5 900x2400 ROLLER INSPECTION TABLE (M/STEEL-V/SPEED)
- 6 600x4000 WASTE/SECONDS COLLECTION BELT (M/STEEL-FIXED SPEED)
- 7 900mm WIDE x 3 MODULE SCREEN SIZER (M/STEEL)
- 8 600x2400 SIZER COLLECTION BELT-2 OFF (M/STEEL-FIXED SPEED)

SIDE VIEW



ALL DIMENSIONS APPROXIMATE ONLY

<p>COMPONENTS TO BE SUPPLIED BY THE CONTRACTOR TO THE WASHED POTATO LINE. THE CONTRACTOR SHALL BE RESPONSIBLE FOR THE PROVISION OF ALL MATERIALS AND LABOUR REQUIRED FOR THE INSTALLATION AND COMMISSIONING OF THE WASHED POTATO LINE. THE CONTRACTOR SHALL BE RESPONSIBLE FOR THE PROVISION OF ALL MATERIALS AND LABOUR REQUIRED FOR THE INSTALLATION AND COMMISSIONING OF THE WASHED POTATO LINE.</p>	
<p>edp australia pty. ltd.</p>	
<p>WASHED POTATO LINE</p>	
<p>1500</p>	<p>24,000</p>
<p>CLIMATE</p>	<p>STD LAYOUT</p>